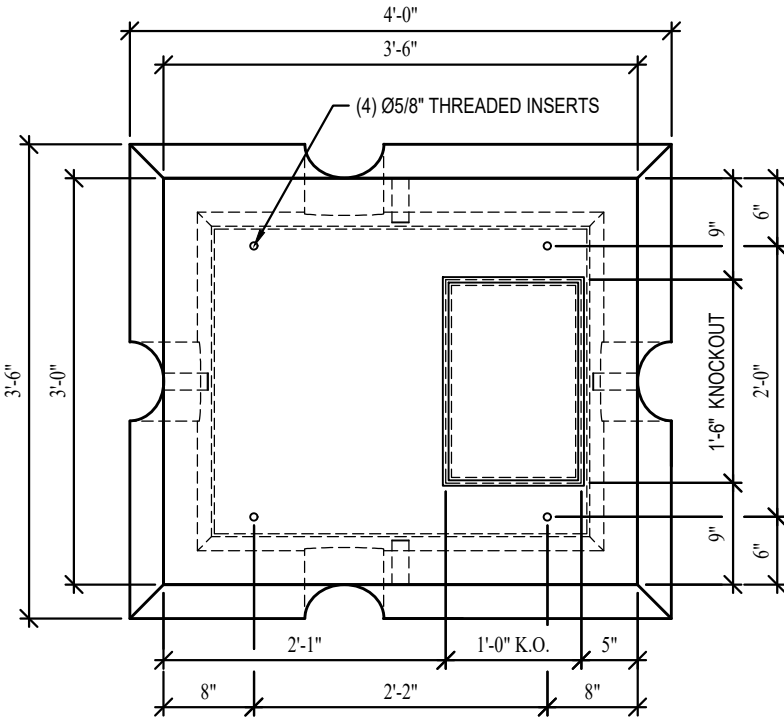
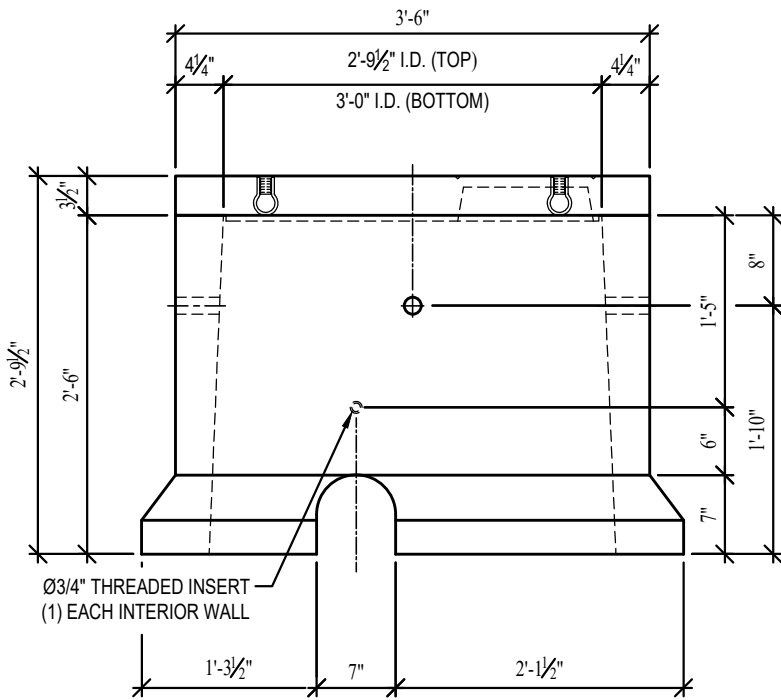
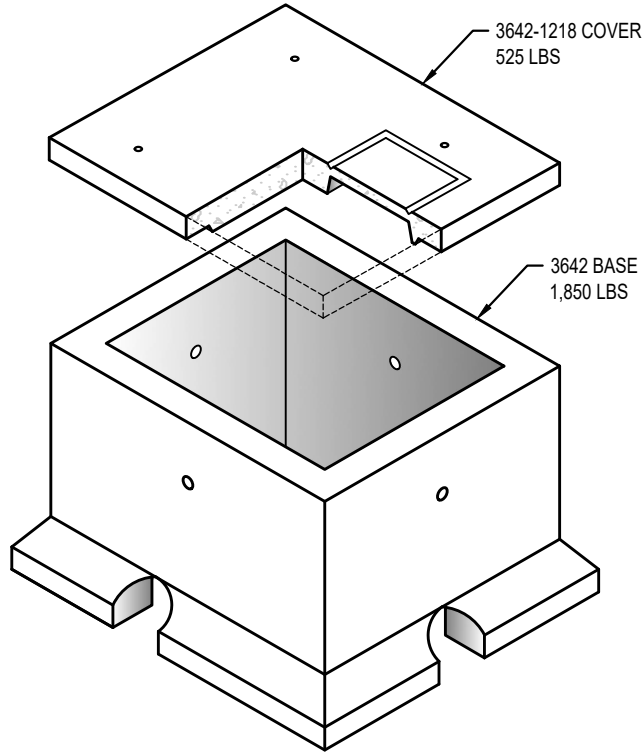


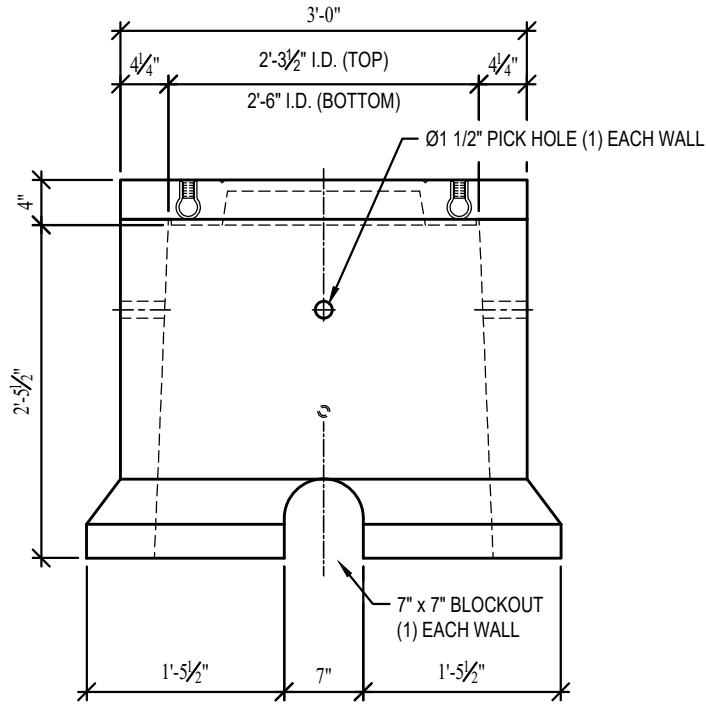
# 3642 - HANDHOLE



**PLAN VIEW**



**SIDE VIEW**



**END VIEW**