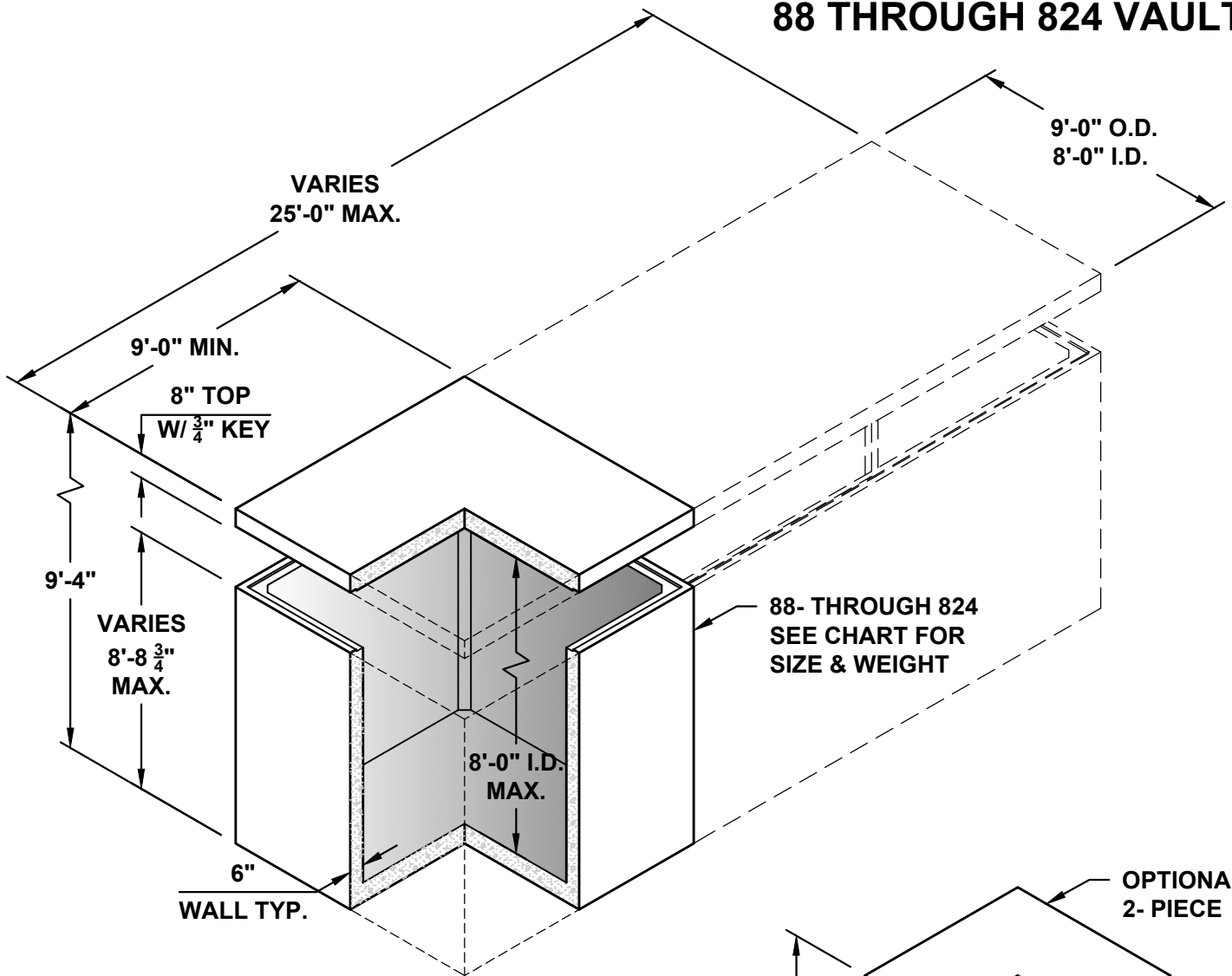
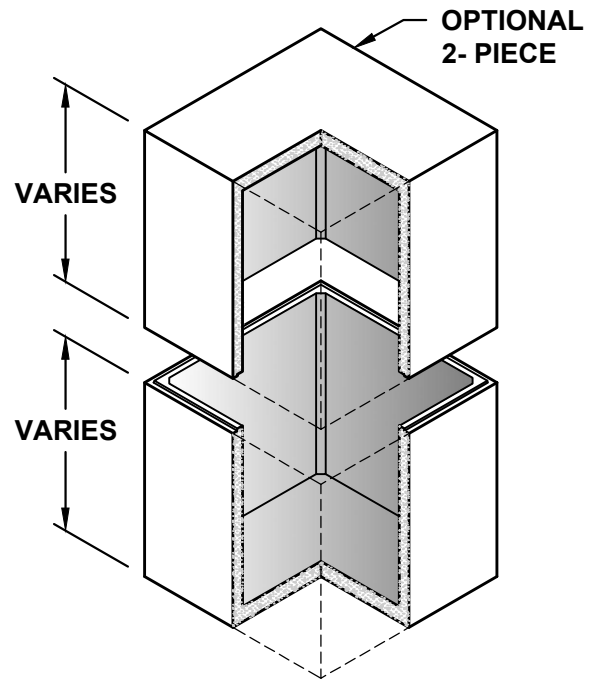


# 88 THROUGH 824 VAULTS



88 THROUGH 824 IN 2FT. INCREMENTS					
VAULT	WIDTH I.D.	LENGTH I.D.	HEIGHT I.D.	TOP WEIGHT	BASE WEIGHT
88	8'-0"	8'-0"	8'-0"	8,020 LBS	28,730 LBS
810	8'-0"	10'-0"	8'-0"	9,810 LBS	28,930 LBS
812	8'-0"	12'-0"	8'-0"	11,600 LBS	37,150 LBS
814	8'-0"	14'-0"	8'-0"	13,400 LBS	41,350 LBS
816	8'-0"	16'-0"	8'-0"	15,190 LBS	45,560 LBS
818	8'-0"	18'-0"	6'-0"	17,010 LBS	41,770 LBS
820	8'-0"	20'-0"	6'-0"	18,770 LBS	45,390 LBS
822	8'-0"	22'-0"	6'-0"	20,560 LBS	49,000 LBS
824	8'-0"	24'-0"	6'-0"	22,350 LBS	52,580 LBS

NOTE:  
WEIGHTS BASED ON 8"  
FLOOR AND 8" TOP SLAB



**88-2 VAULT**

NOTE:  
HEIGHT OF BASE AND TOP ADJUSTABLE, 8'-0" I.D. MAX EACH SECTION, BASE FLOOR AND TOP DECK THICKNESS AS REQUIRED.  
OPTIONAL TOP ACCESS, MANHOLE FRAME & COVERS, AND HATCHES AS NEEDED.  
VARIOUS SIZES AVAILABLE.  
OPTIONAL ACCESSORIES: STRUT CHANNEL, SUMPS, INSERTS, LADDERS, ETC.