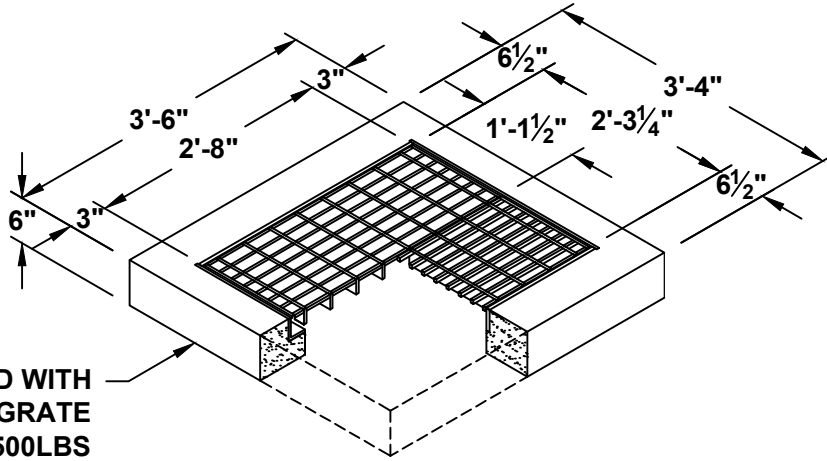
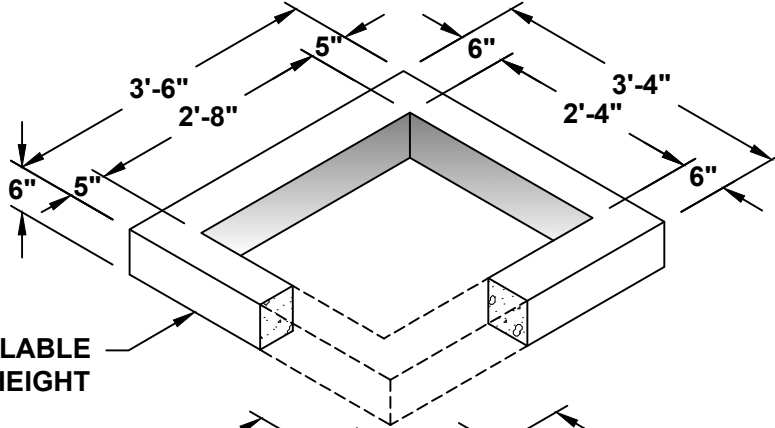


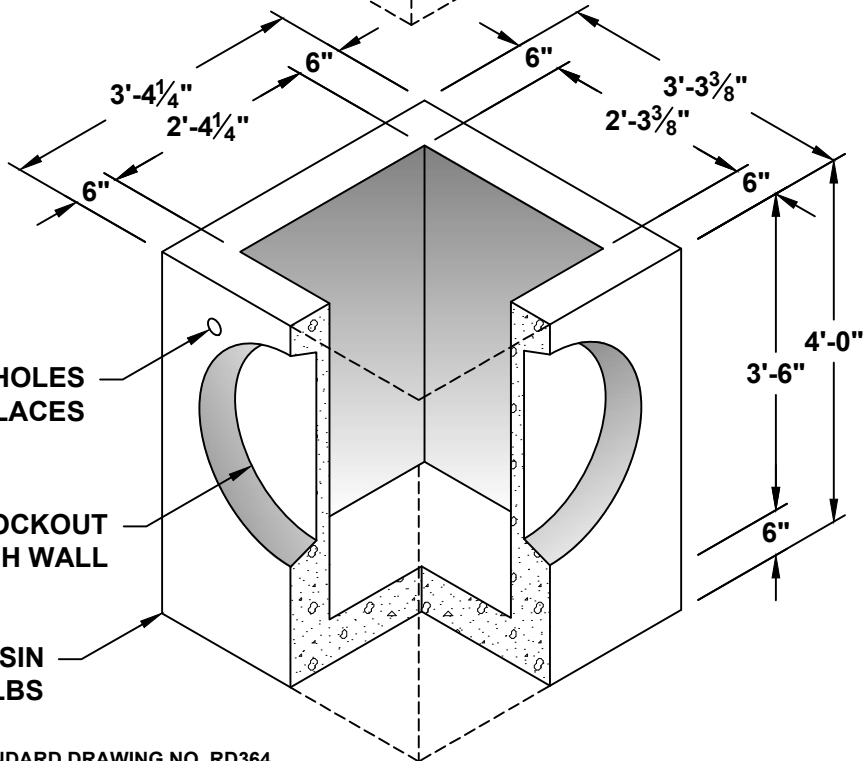
O.D.O.T. - TYPE G2 CATCH BASIN



TOP UNIT PROVIDED WITH
O.S.H.D. TYPE 2 FRAME & GRATE
WEIGHT 1,500LBS



ADJUSTMENT RISER AVAILABLE
IN: 4", 6" AND 12" HEIGHT



Ø2" LIFTING HOLES
TYPICAL (2) PLACES

Ø26" KNOCKOUT
(1) EACH WALL

ODOT G2 CATCH BASIN
WEIGHT 3,050LBS

NOTES:

1. MEETS OR EXCEEDS ODOT STANDARD DRAWING NO. RD364.
2. ALL DIMENSIONS SUBJECT TO ALLOWABLE TOLERANCES.