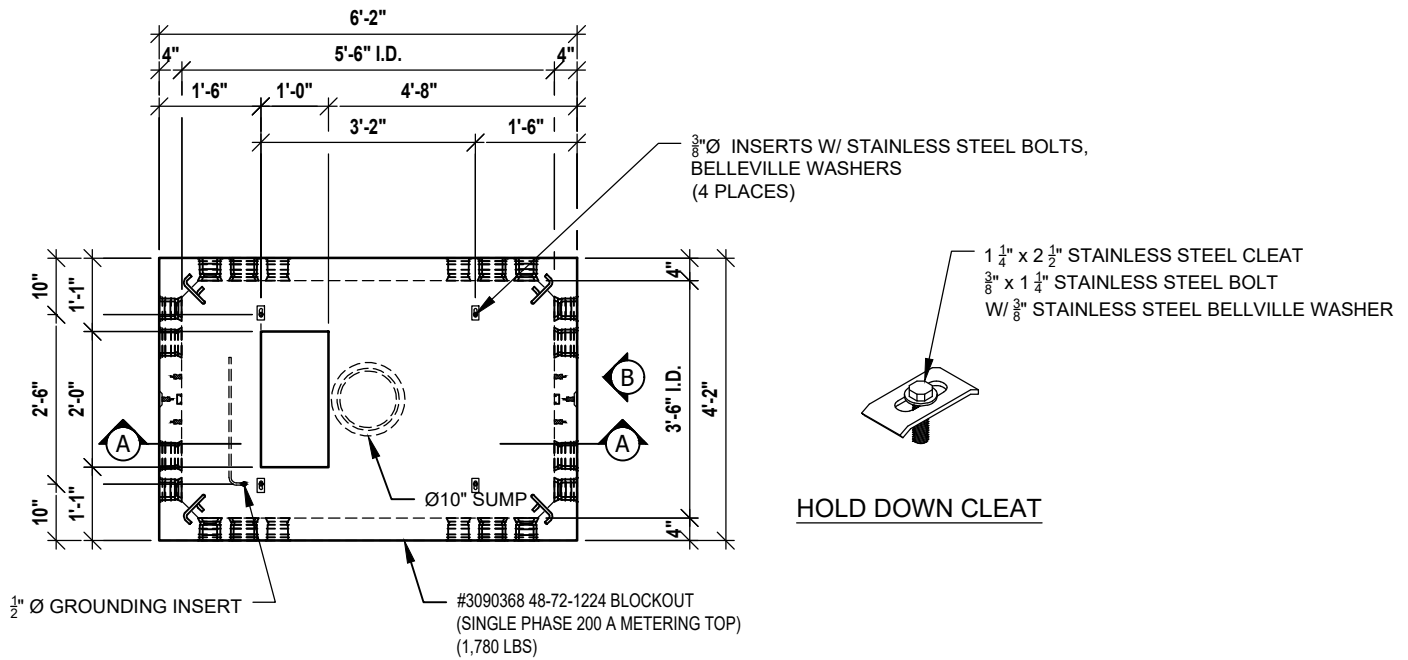
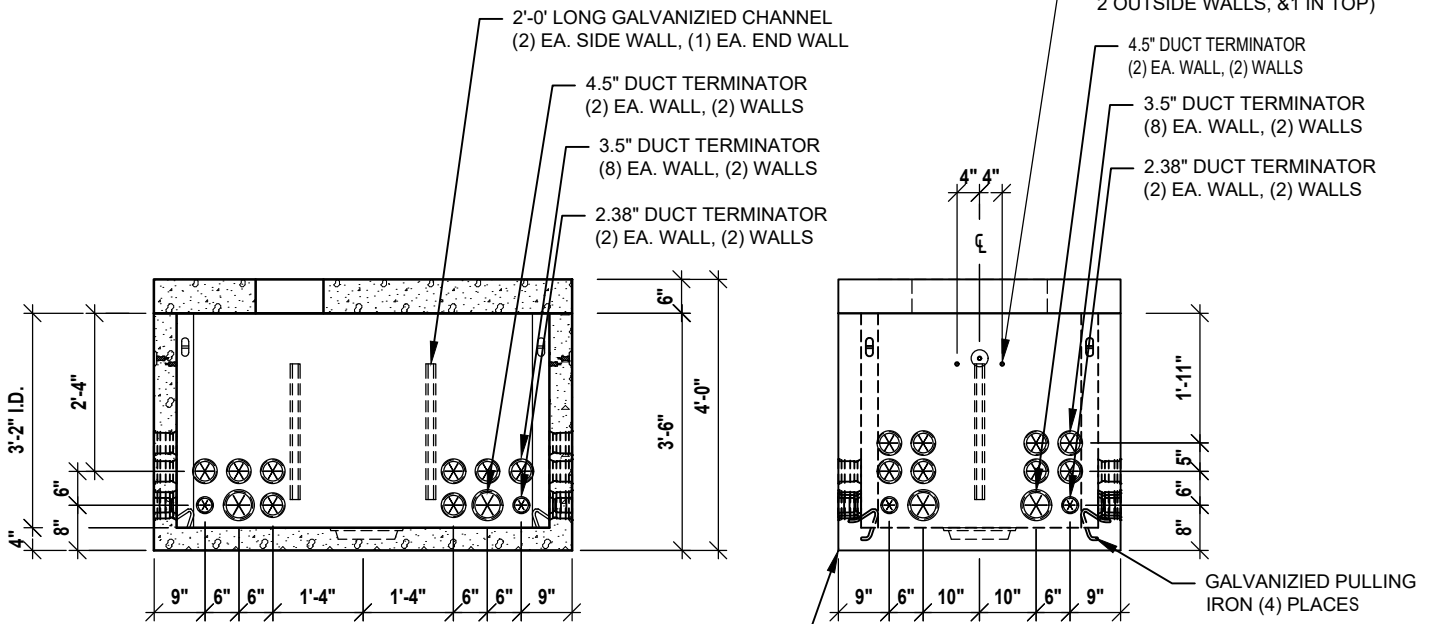


PACIFIC CORP 464 METER #3090368



PLAN VIEW

SCALE: 3/8" = 1'-0"



SECTION VIEW

SCALE: 3/8" = 1'-0"

VIEW B

SCALE: 3/8" = 1'-0"

NOTES:

1. WEIGHTS LISTED ARE APPROXIMATE.

PCORP ZG571 12-16-11

PCORP ZG616 05-19-15