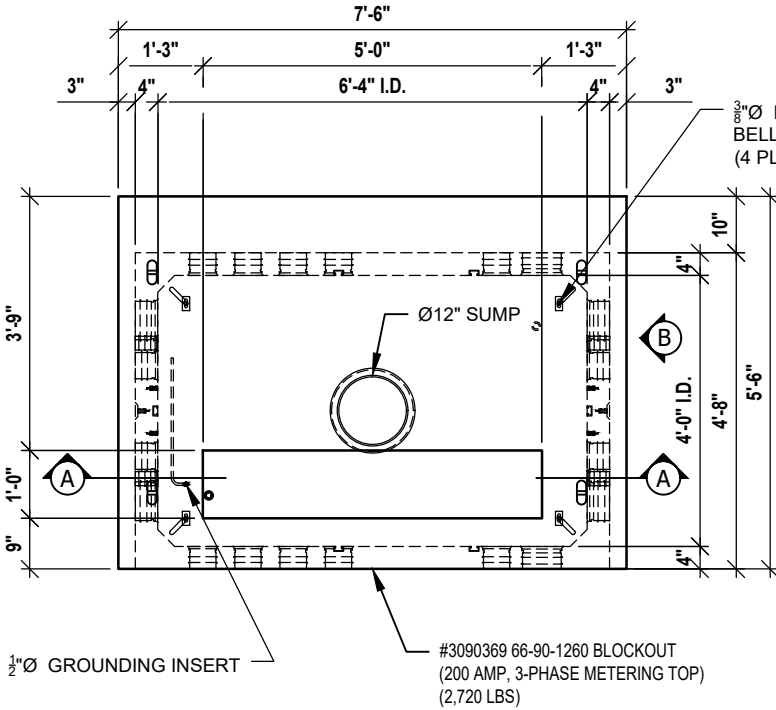
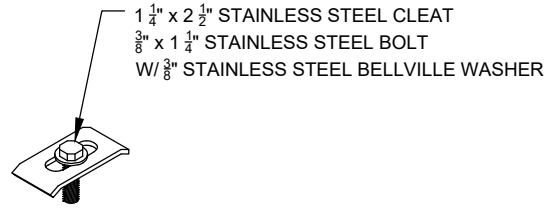


# PACIFIC CORP 575 METER #3090369

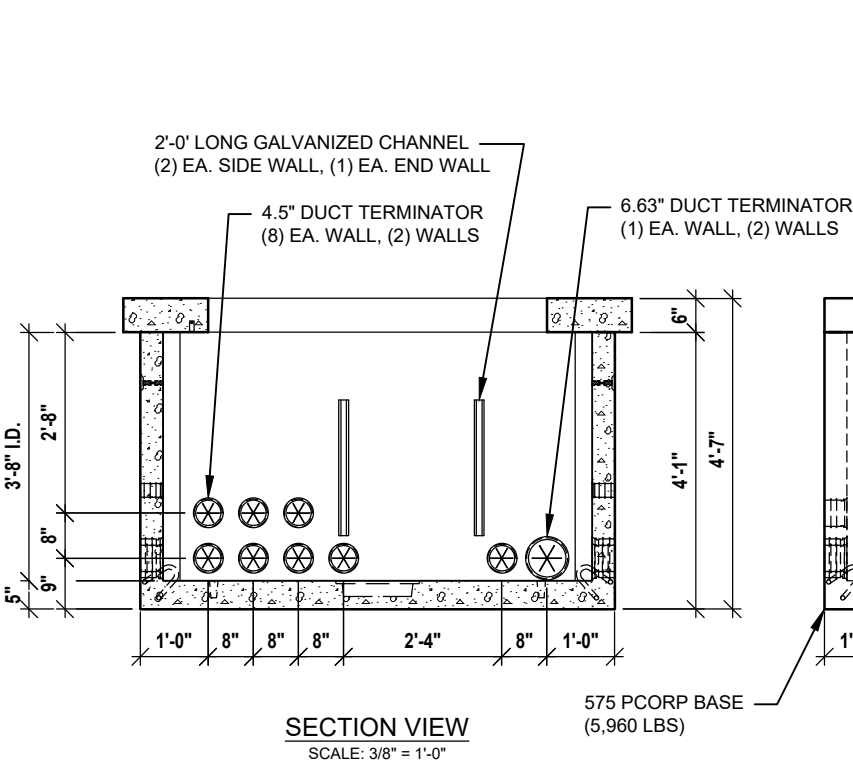


1/2" Ø INSERTS W/ STAINLESS STEEL BOLTS, BELLEVILLE WASHERS (4 PLACES)

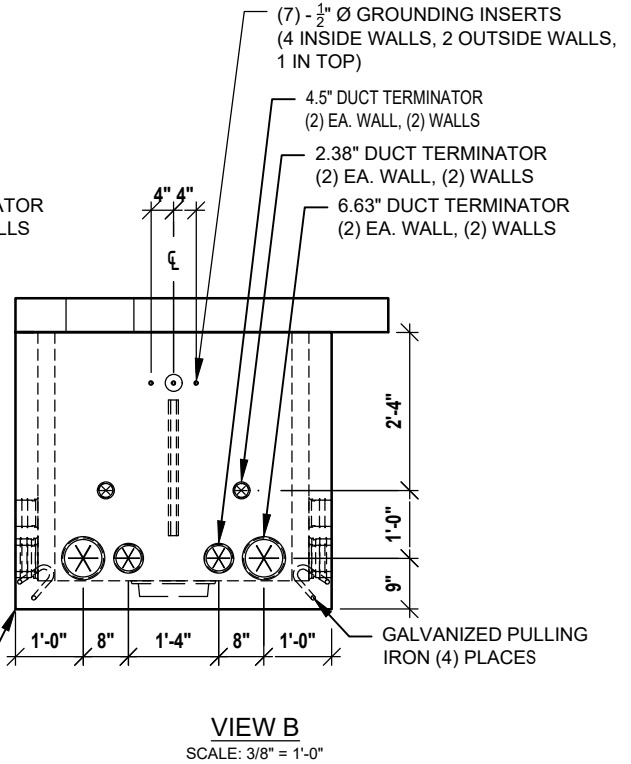


**HOLD DOWN CLEAT**

**PLAN VIEW**  
SCALE: 3/8" = 1'-0"



**SECTION VIEW**  
SCALE: 3/8" = 1'-0"



**VIEW B**  
SCALE: 3/8" = 1'-0"

**NOTES:**  
1. WEIGHTS LISTED ARE APPROXIMATE.

PCORP ZG571 12-16-11
PCORP ZG621 06-13-13