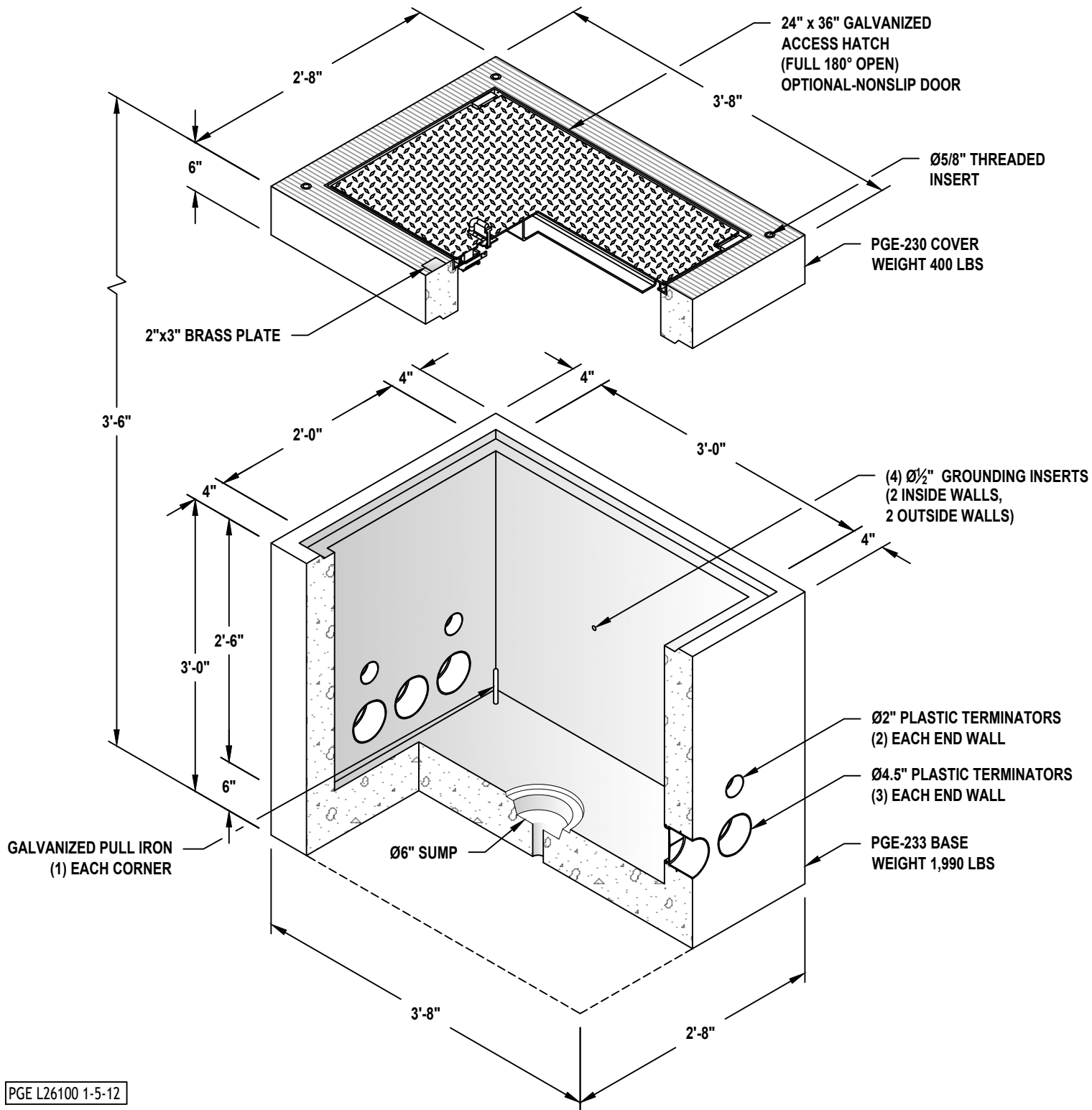


Job #21-1140  
Moore Excavation  
QTY 14

This is an AIS project - AIS Step Letters are required from steel and iron vendors

# PGE - 233 VAULT

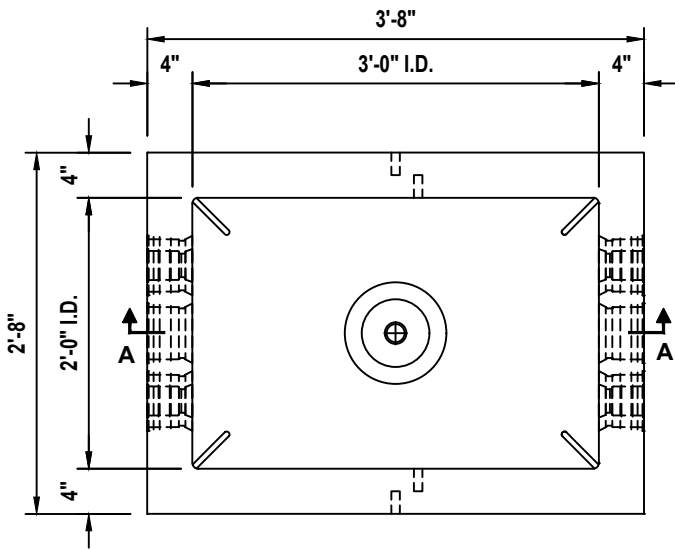


PGE L26100 1-5-12

32 x 44 x 42 (233-PGE)

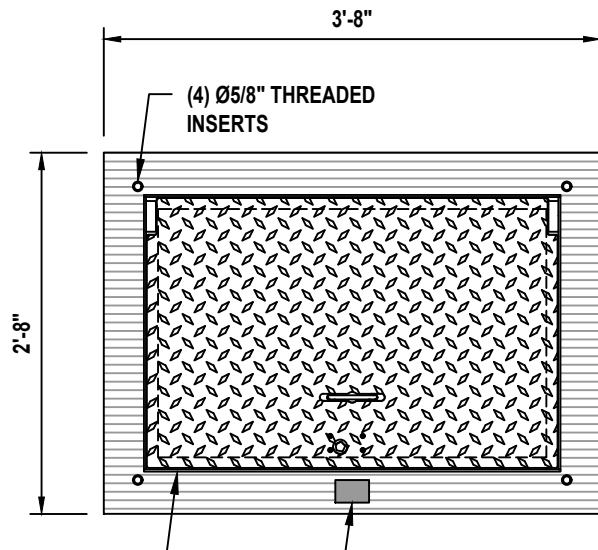
SHEET 1 OF 2

# PGE - 233 VAULT

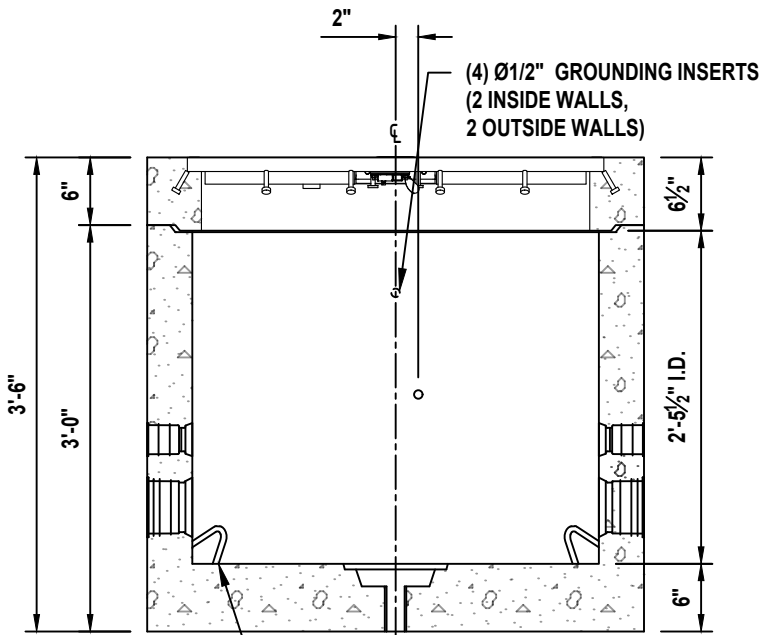


**PLAN VIEW**  
TOP NOT SHOWN,  
SEE TOP PLAN

24" x 36" GALVANIZED  
ACCESS HATCH  
WITH LOCKING LATCH

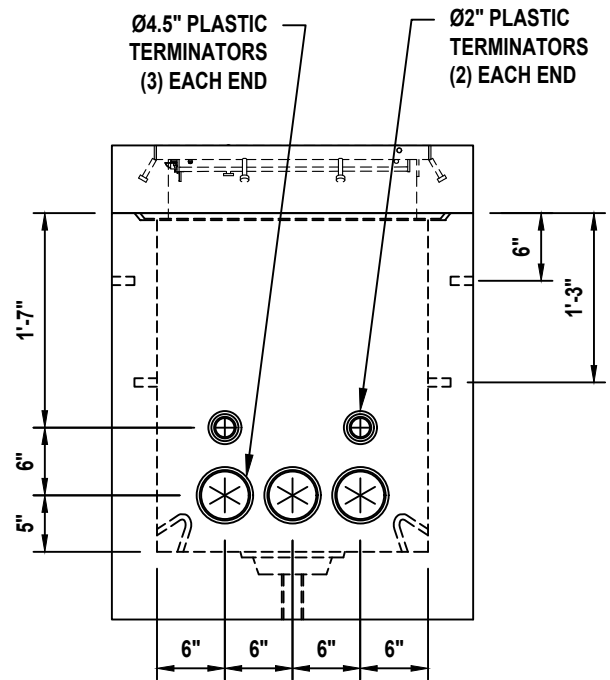


**TOP PLAN**



**SECTION A-A**

GALVANIZED PULL  
IRON (1) EACH  
CORNER



**END VIEW**

PGE L26100 1-5-12

32 x 44 x 42 (233-PGE)

**SHEET 2 OF 2**