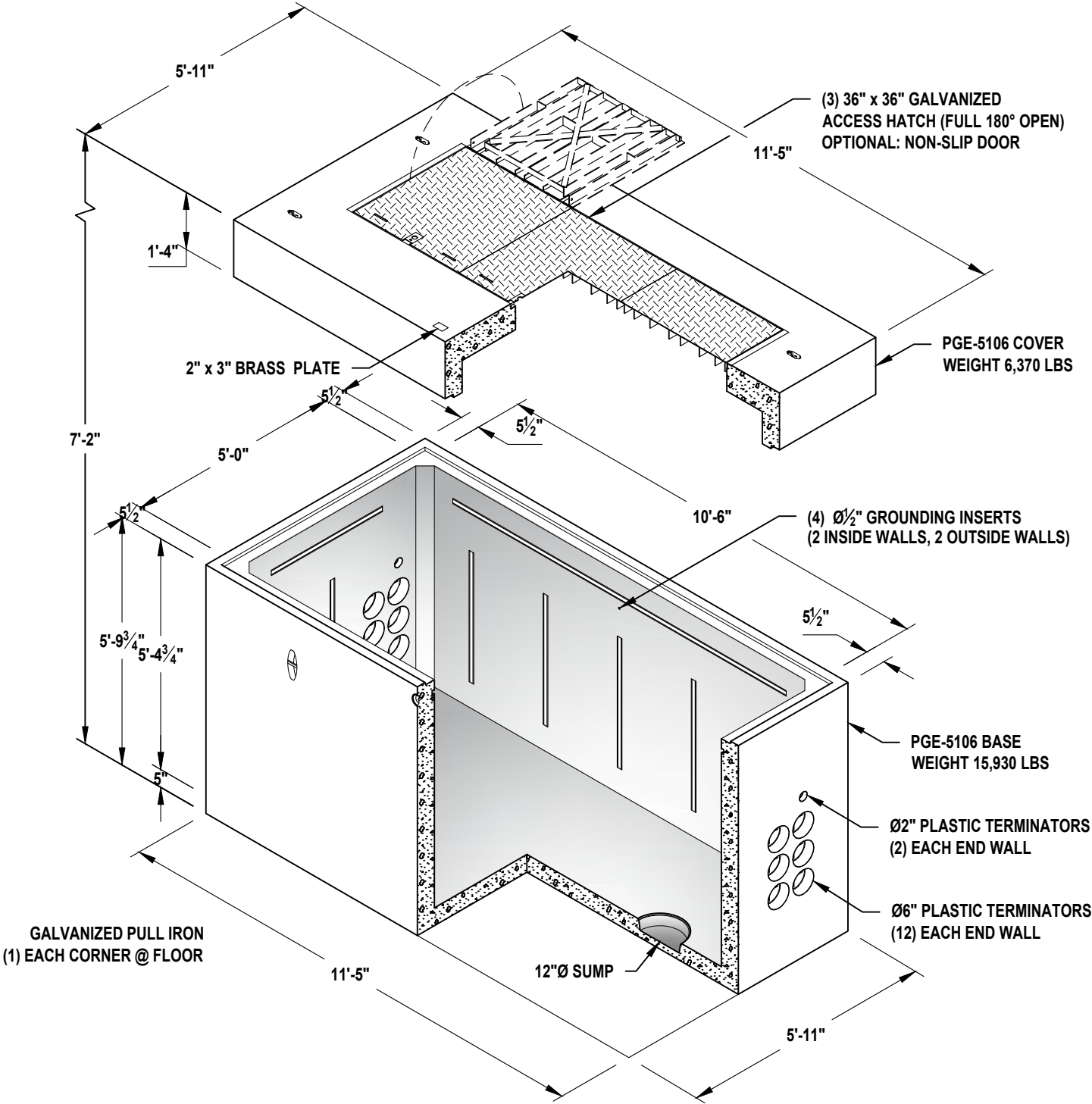


PGE - 5106 VAULT

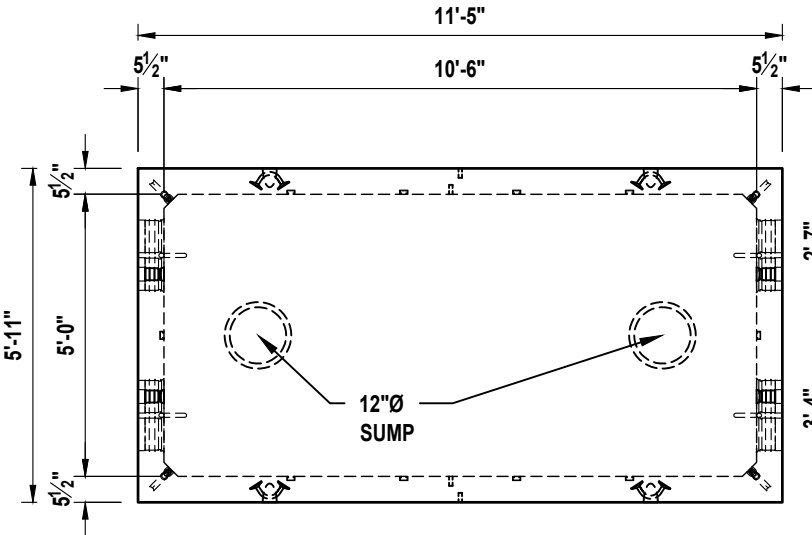


PGE L26100 1-5-12

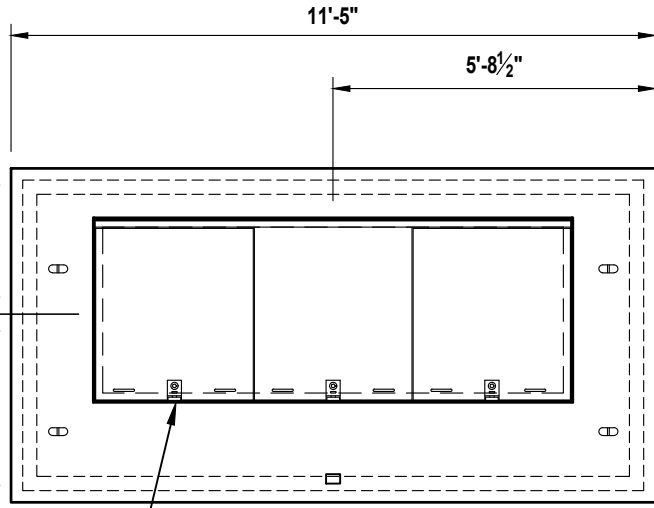
71 x 137 x 86 (5106-PGE)

SHEET 1 OF 2

PGE - 5106 VAULT

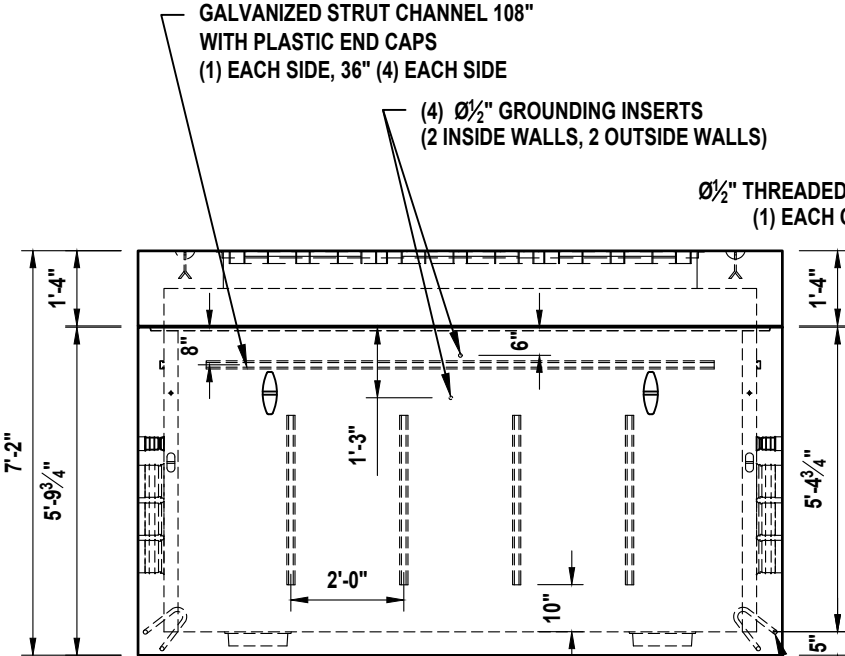


PLAN VIEW BASE

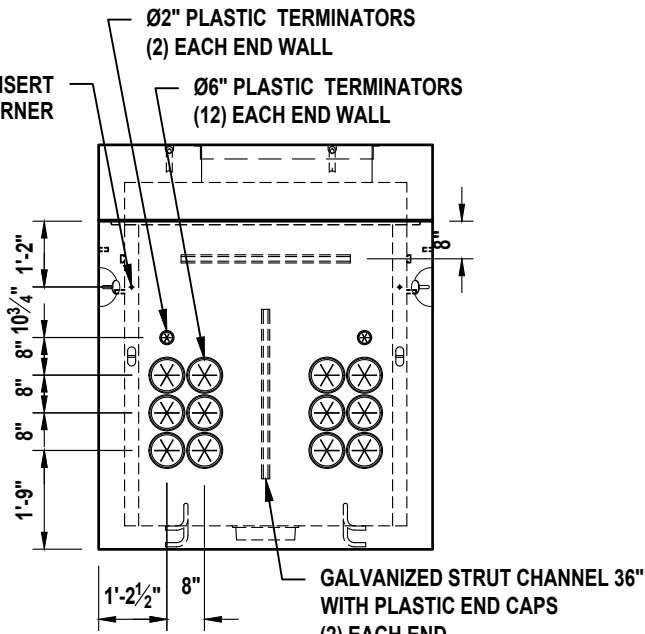


PLAN VIEW TOP

(3) 36" x 36" GALVANIZED ACCESS HATCH (FULL 180° OPEN)
OPTIONAL: NON-SLIP DOOR



SIDE VIEW



END VIEW

GALVANIZED STRUT CHANNEL 108" WITH PLASTIC END CAPS
(1) EACH SIDE, 36" (4) EACH SIDE

(4) Ø1/2" GROUNDING INSERTS (2 INSIDE WALLS, 2 OUTSIDE WALLS)

Ø1/2" THREADED INSERT (1) EACH CORNER

Ø2" PLASTIC TERMINATORS (2) EACH END WALL

Ø6" PLASTIC TERMINATORS (12) EACH END WALL

GALVANIZED PULL IRON (1) EACH CORNER

GALVANIZED STRUT CHANNEL 36" WITH PLASTIC END CAPS (2) EACH END

PGE L26100 1-5-12

71 x 137 x 86 (5106-PGE)

SHEET 2 OF 2