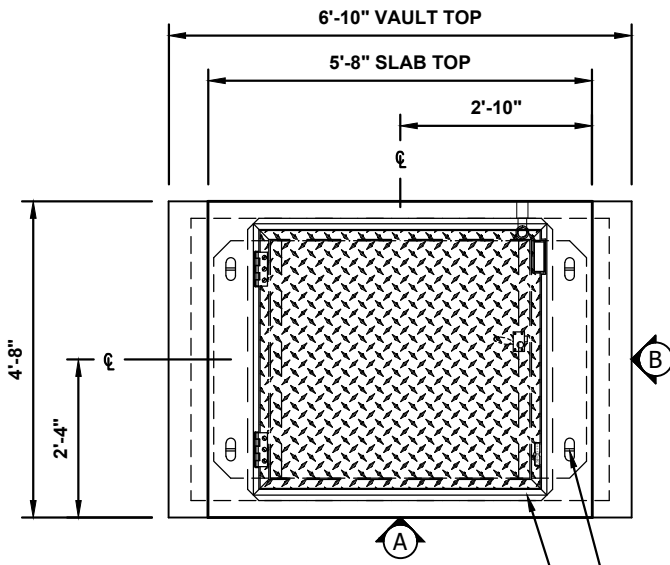
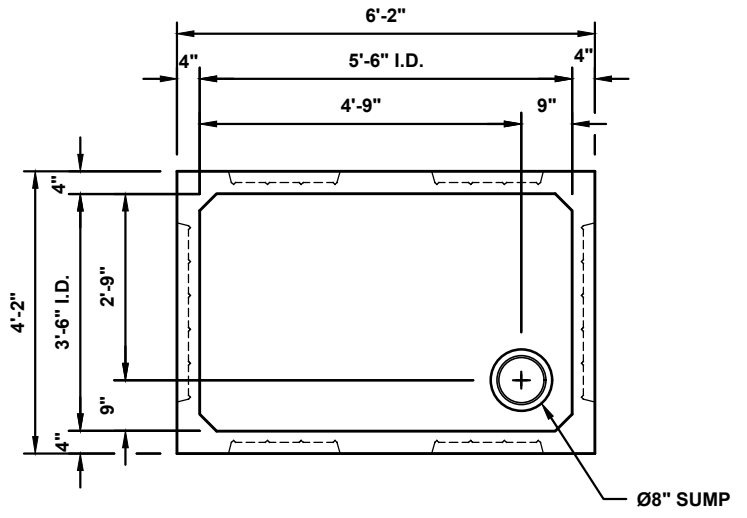


TVWD - 466 DCV/DCDV VAULT

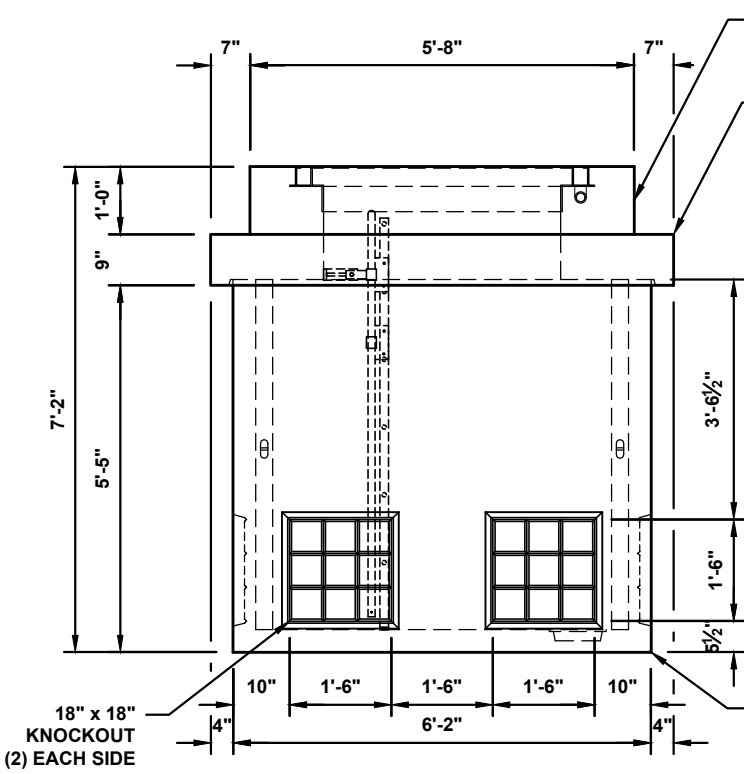


PLAN VIEW - TOP

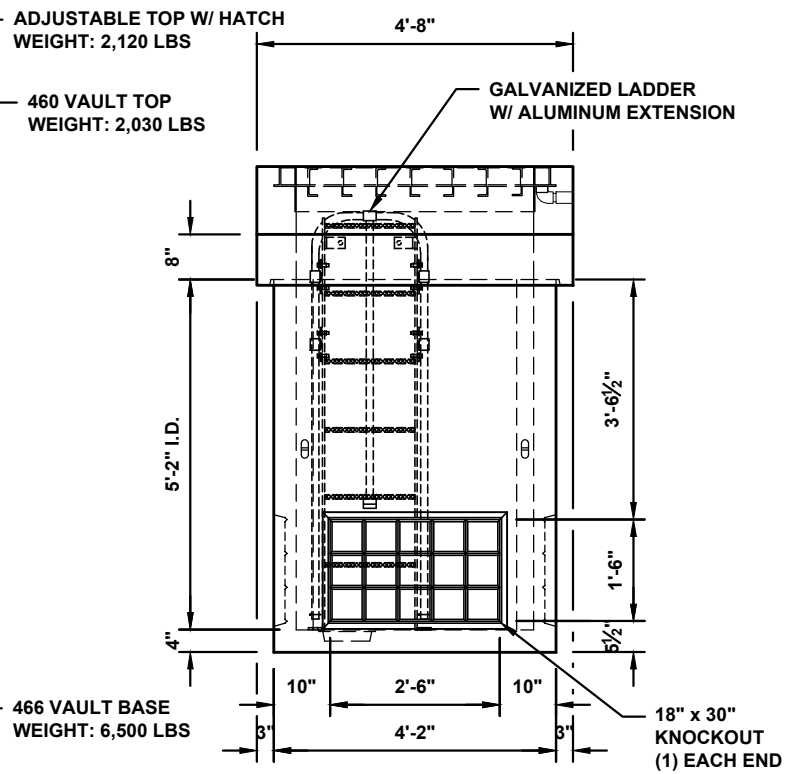


PLAN VIEW - BASE

2 TON LIFT ANCHOR
(4) EACH, TOPS & BASE
USF-THS 42" x 42" ALUMINUM HATCH
DRAINS TO DAYLIGHT



VIEW - A



VIEW - B

NOTES:

1. INTERNAL PLUMBING/HARDWARE PROVIDED AND INSTALLED BY OTHERS.
2. REFER TO MANUFACTURERS DRAWING(S) FOR HATCH DETAILS.
3. CRYSTALSEAL COATING APPLIED TO EXTERIOR SURFACES.
4. WEIGHTS LISTED ARE APPROXIMATE.