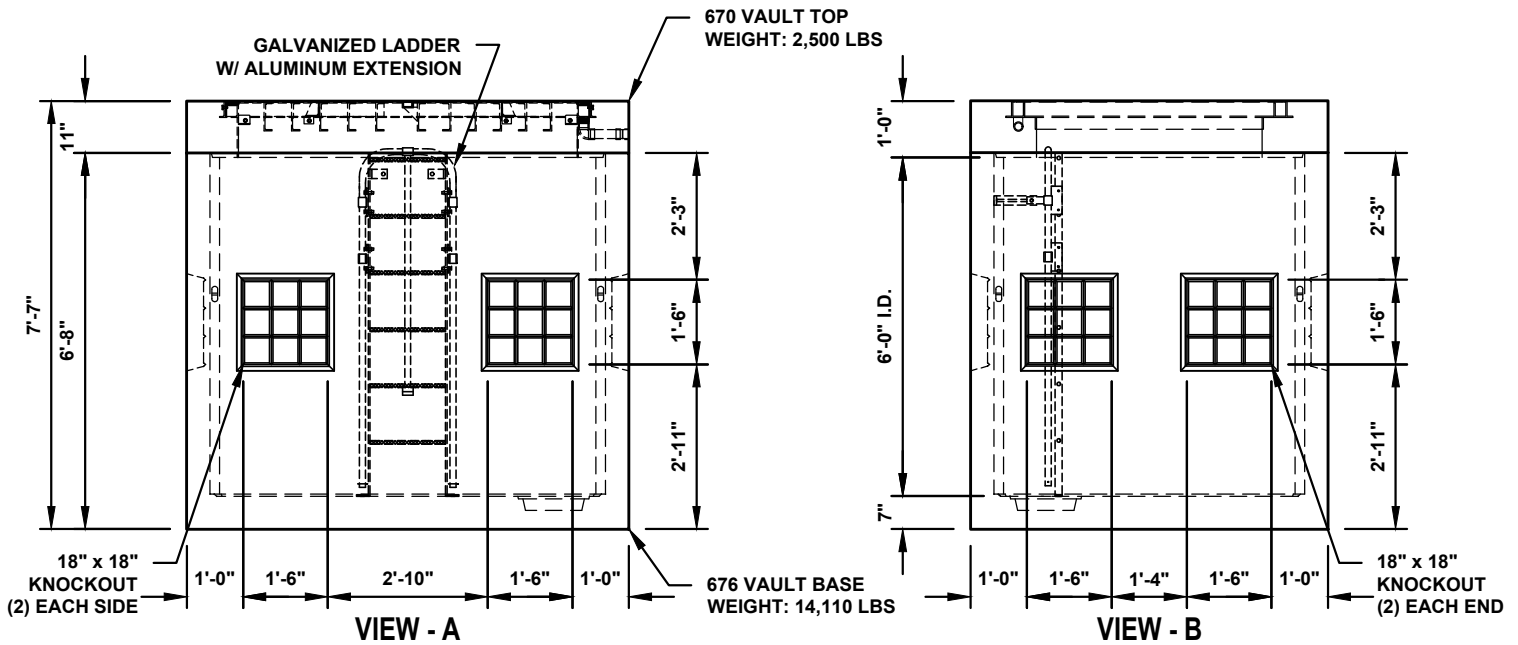
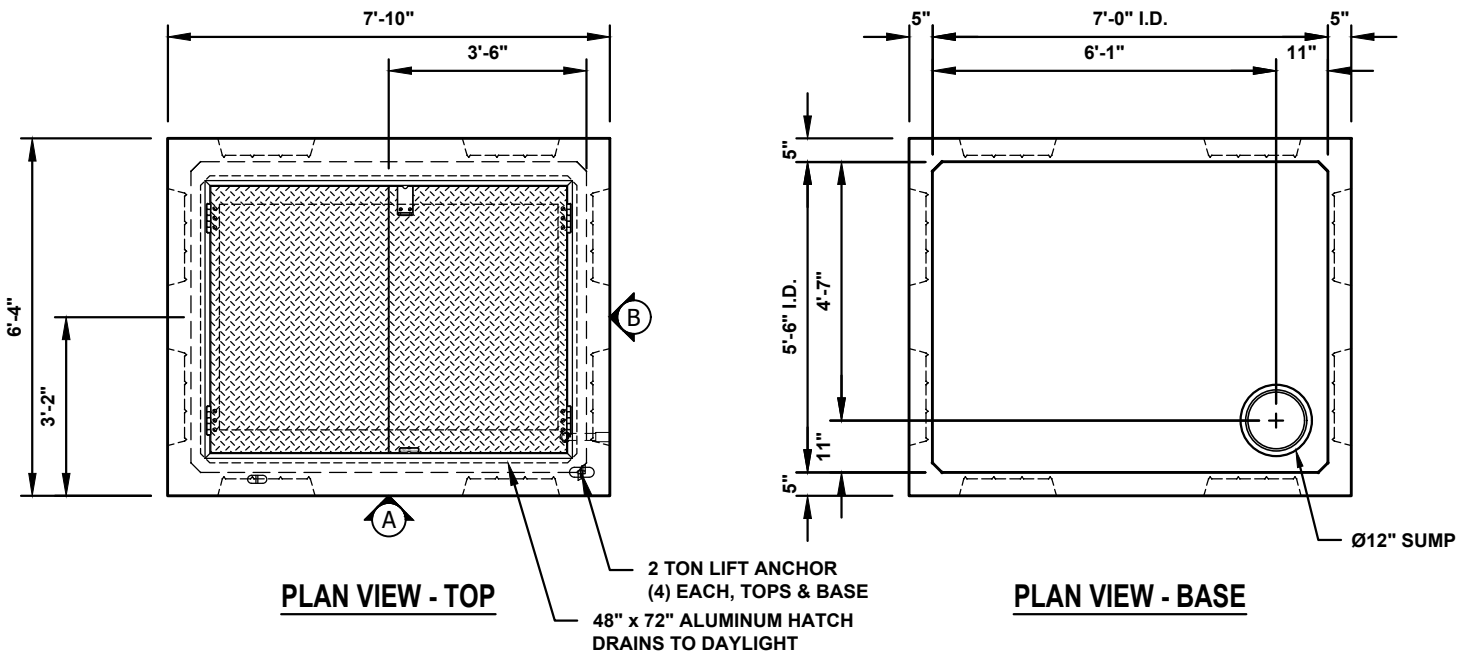


TVWD - 676 METER VAULT



NOTES:

1. INTERNAL PLUMBING/HARDWARE PROVIDED AND INSTALLED BY OTHERS.
2. REFER TO MANUFACTURERS DRAWING(S) FOR HATCH DETAILS.
3. CRYSTALSEAL COATING APPLIED TO EXTERIOR SURFACES.
4. WEIGHTS LISTED ARE APPROXIMATE.