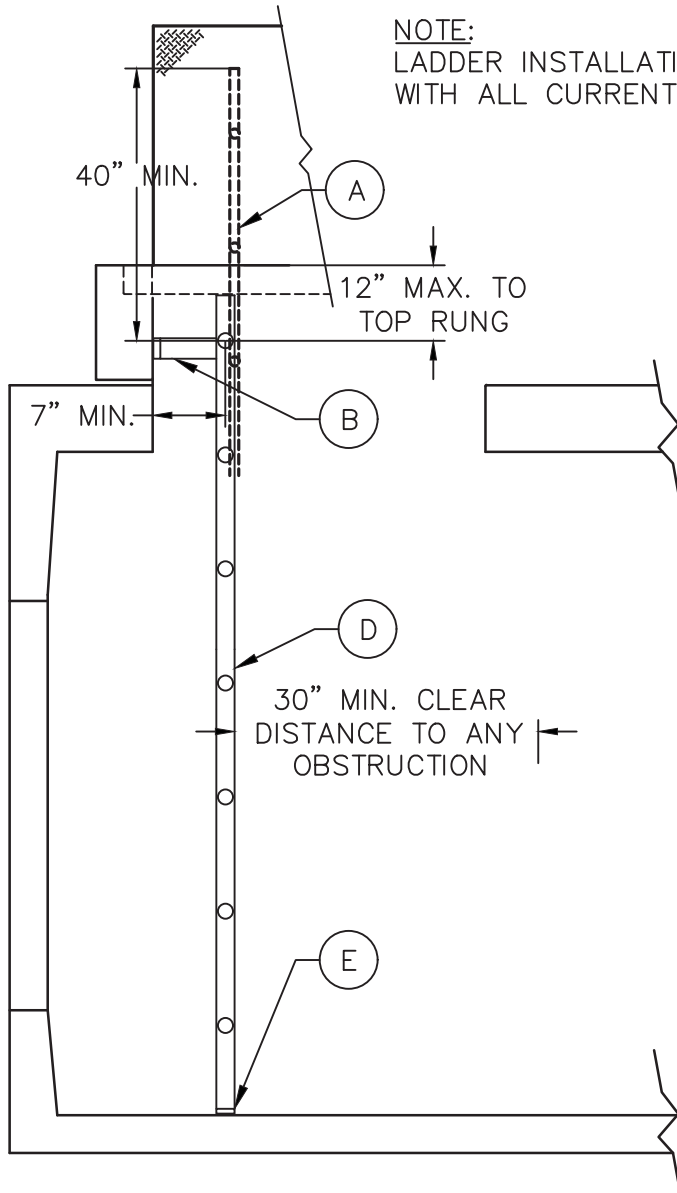
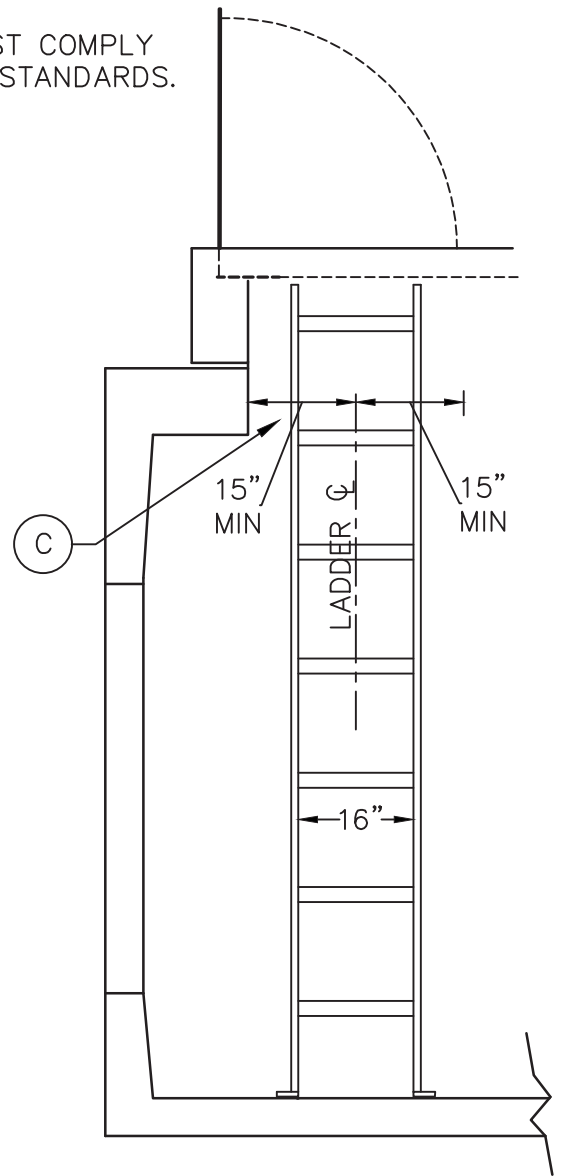


NOTE:  
LADDER INSTALLATION MUST COMPLY  
WITH ALL CURRENT OSHA STANDARDS.



SIDE VIEW



FRONT VIEW

KEYNOTES:

- A. LADDER EXTENSION SHALL BE ALUMINUM AND EXTEND 40" ABOVE THE TOP RUNG OF THE LADDER.
- B. ATTACH LADDER SUPPORT TO INSIDE FACE OF VAULT COVER OPENING WITH STAINLESS STEEL HARDWARE AS SHOWN.  $\text{C}\ell$  OF RUNG MUST BE SET 7" FROM FACE OF SURFACE BEHIND RUNG. LADDER SHALL BE ON THE SIDE ADJACENT TO THE DOOR HINGE.
- C. PROVIDE 15" MINIMUM LATERAL CLEARANCE ON EACH SIDE OF LADDER  $\text{C}\ell$ .
- D. LADDER SHALL MEET THE REQUIREMENTS OF OSHA AND SHALL BE HOT-DIPPED GALVANIZED AFTER FABRICATION.
- E. LADDER SHALL BE ATTACHED TO FLOOR OF VAULT WITH STAINLESS STEEL HARDWARE PER THE MANUFACTURERS RECOMMENDATIONS.

Tualatin Valley Water District

1850 SW 170th Ave. Beaverton, OR 97003  
(503) 848-3000 www.tvwd.org

DESIGNED: KLS

APPROVED: NWA

SCALE: NONE

VAULT LADDER  
INSTALLATION

DATE: 3/1/2018

DETAIL

701