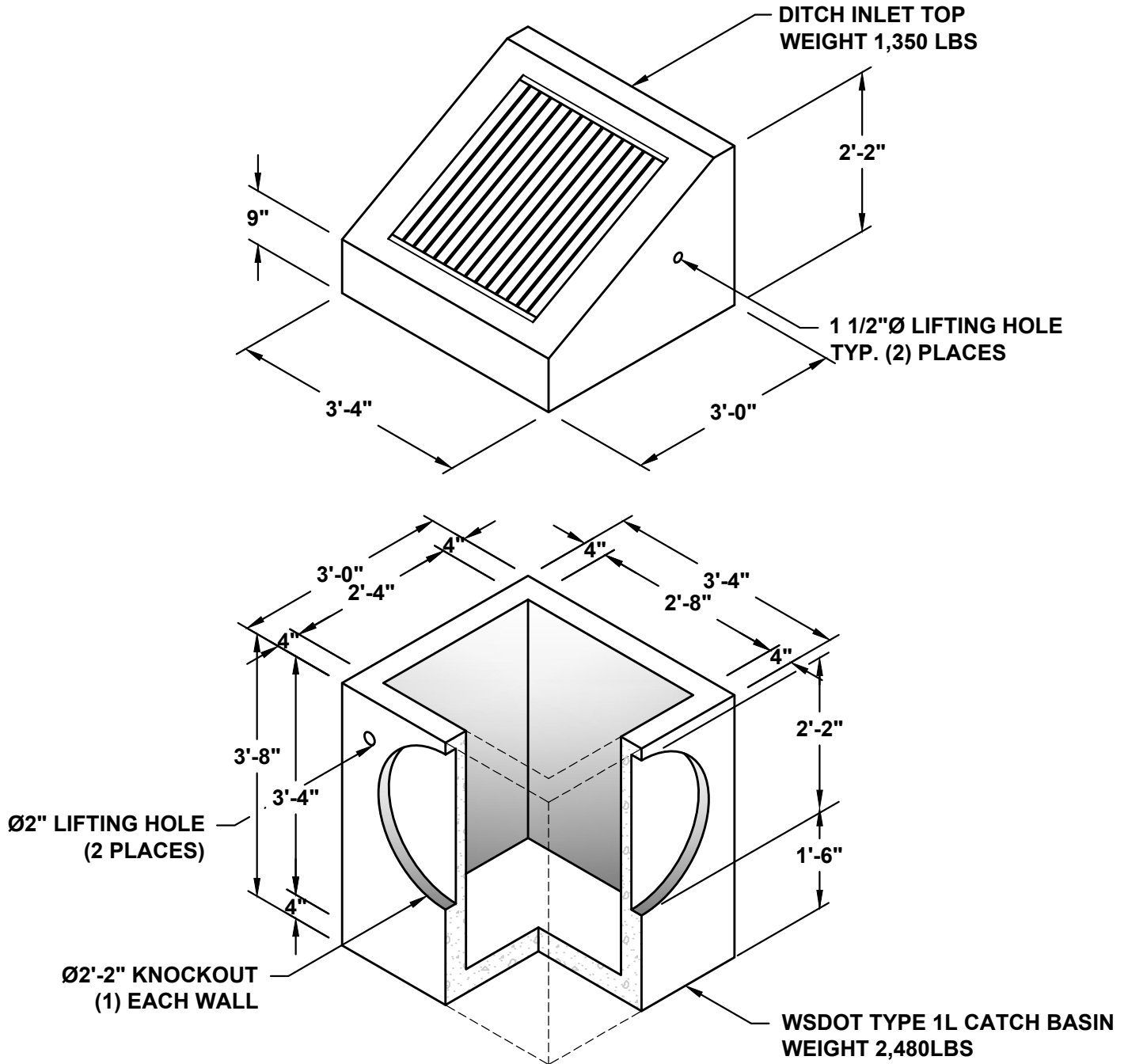


W.S.D.O.T. - TYPE 1L DITCH INLET TOP



NOTES:

1. MEETS OR EXCEEDS WSDOT STANDARD PLAN B-5.40-02.
2. ALL DIMENSIONS SUBJECT TO ALLOWABLE TOLERANCES.