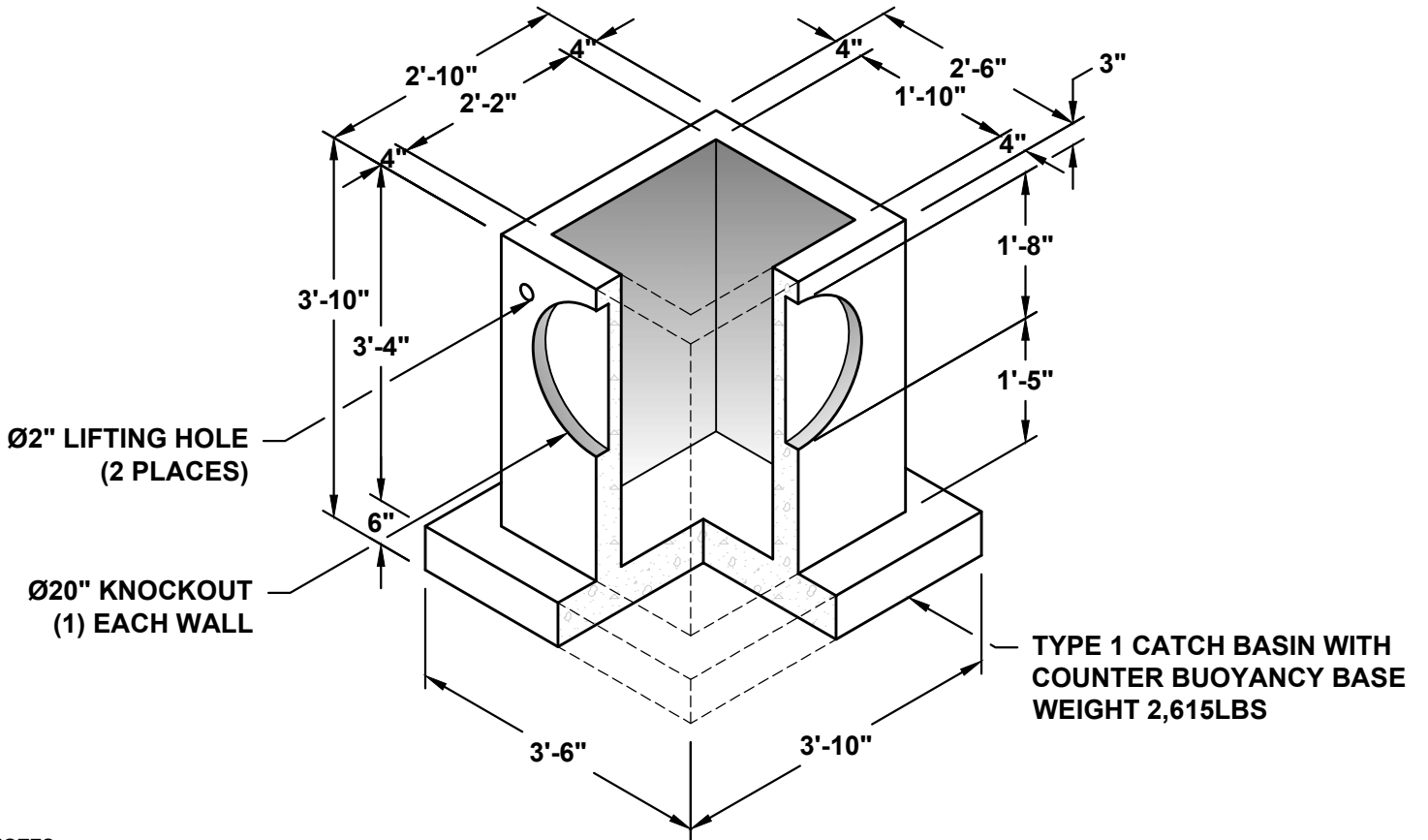
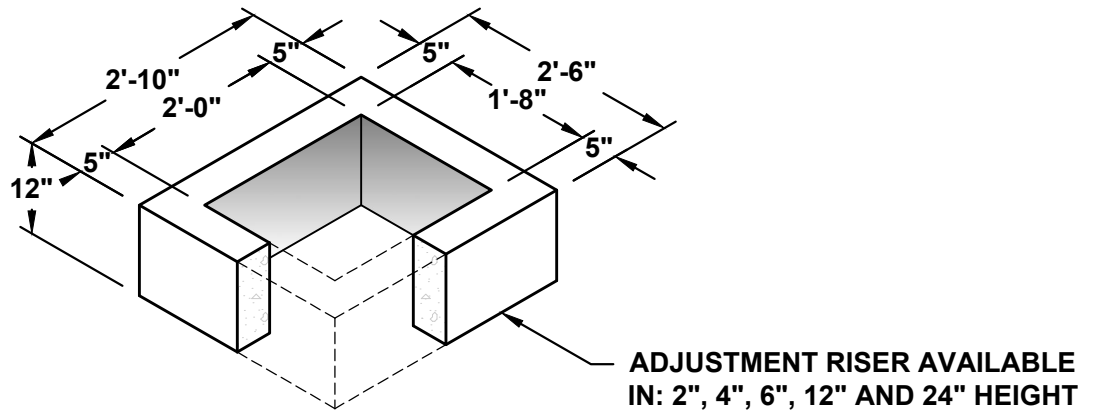
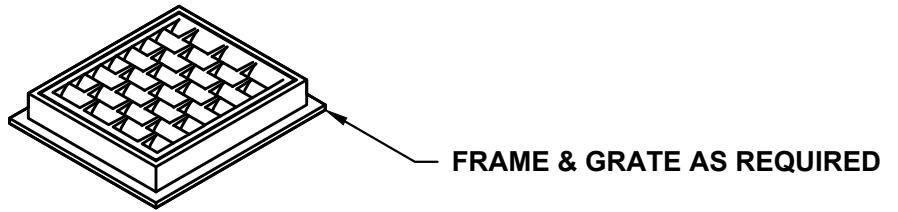


Type 1 Catch Basin with Counter Buoyancy Base



- NOTES:**
 1. MEETS OR EXCEEDS WSDOT STANDARD PLAN B-5.20-02.
 2. ALL DIMENSIONS SUBJECT TO ALLOWABLE TOLERANCES.