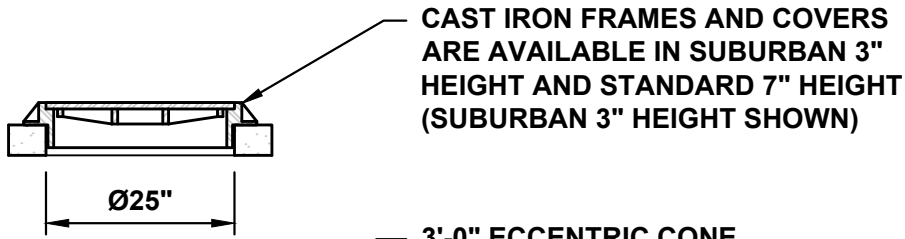
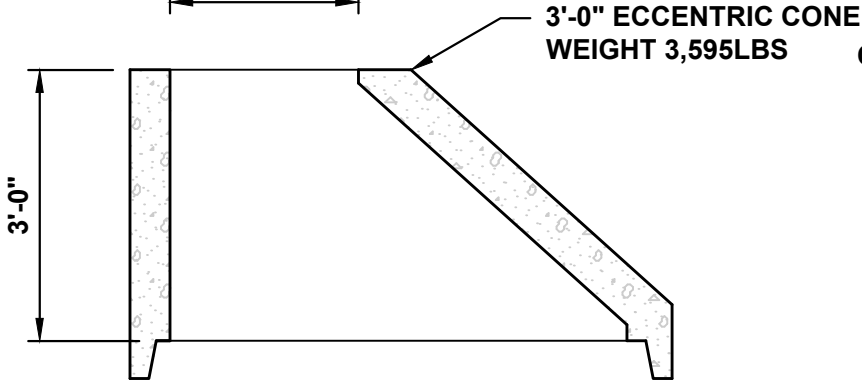


Ø60" MANHOLE - ECCENTRIC CONE



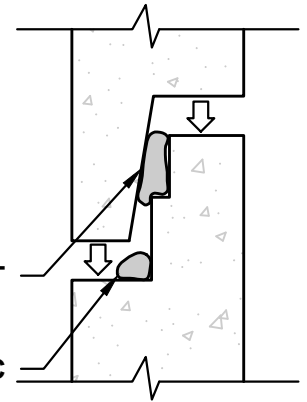
CAST IRON FRAMES AND COVERS ARE AVAILABLE IN SUBURBAN 3" HEIGHT AND STANDARD 7" HEIGHT (SUBURBAN 3" HEIGHT SHOWN)



3'-0" ECCENTRIC CONE
WEIGHT 3,595LBS

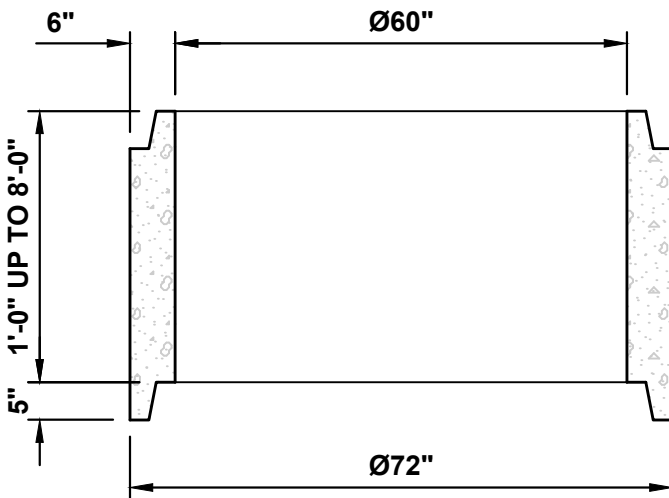
OPTIONAL GASKET

MASTIC



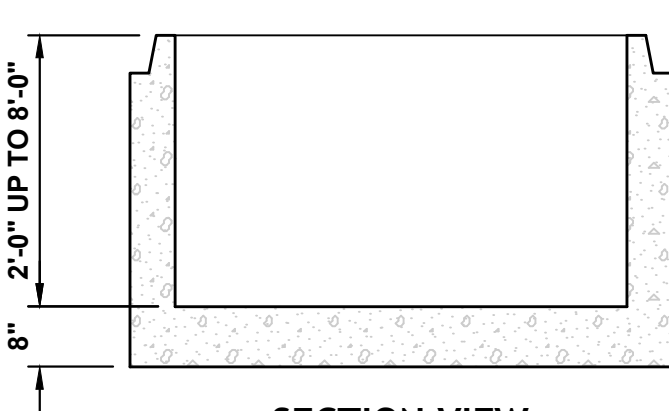
JOINT DETAIL

STANDARD JOINT SEALANT IS MASTIC.
RUBBER GASKET IS OPTIONAL.



Ø60" MANHOLE SECTION

- 1'-0" (3,125LBS)
- 2'-0" (2,645LBS)
- 3'-0" (3,965LBS)
- 4'-0" (5,290LBS)
- 5'-0" (6,610LBS)
- 6'-0" (7,930LBS)
- 7'-0" (9,255LBS)



Ø60" MANHOLE BASE

- 2'-0" (5,130LBS)
- 3'-0" (6,455LBS)
- 4'-0" (7,775LBS)
- 5'-0" (9,095LBS)
- 6'-0" (10,420LBS)
- 7'-0" (11,740LBS)
- 8'-0" (13,060LBS)

SECTION VIEW

NOTES:

1. MANHOLE ASSEMBLY CONFORMS TO ASTM-C478.
2. ALL MANHOLE JOINTS SEALED WITH MASTIC OR RUBBER GASKET.
3. WEIGHTS LISTED ARE APPROXIMATE.
4. GRADE RINGS AVAILABLE AS NEEDED.